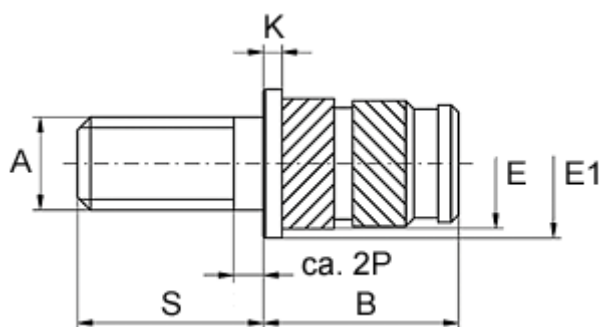


# Data Sheet



Article number: 12867000080880  
Description: KLEE-coil 867 000 080.880  
M8 Brass

## Measures



Flange diameter E1	= 11.0
Flange height	= 1.3
Male thread A	= M8x1,25
Min distance to edge W	= 3.5
Mounting length B	= 14.0
Outer diameter E	= 10.2
Pin length S	= 25
Recommended bore diameter W +0.1	= 9.6